

ARISTARCO

CATALOGO PARTI DI RICAMBIO
SPARE PARTS CATALOGUE
CATALOGUE PIECES DETACHEES
ERSATZTEILKATALOG
CATALOGO DE PIEZAS DE RICAMBIO
CATALOGO PEÇAS DE REPOSIÇÃO

MOD. AH 1240E ES
Dishwasher basket 50x50
Double skinned
Electronic controls

INFORMAZIONI GENERALI

- A. Il catalogo serve per richiedere con esattezza le parti di ricambi, in base al **MODEL** indicato nella matricola della macchina. Negli ordini indicare la posizione, il codice, la descrizione e la quantità delle parti di ricambio;
- B. I disegni delle parti di ricambio sono indicativi e NON rappresentano il pezzo reale;
- C. I dati contenuti in questo catalogo sono indicativi e possono essere soggetti a modifiche senza preavviso.

GENERAL INFORMATION

- A. This catalog order exactly the right spare parts, according to the **MODEL** indicated on the identification plate of the machine. When ordering, specify the position, the code, the description and the quantity of spare parts;
- B. The spare parts drawings are general and DO NOT represent the real part;
- C. The contents of this catalog are general, and can undergo changes without prior notice.

INFORMATIONS GÉNÉRALES

- A. Ce catalogue est utilisé pour commander exactement les pièces détachées, selon le **MODEL** indiqué sur la plaque d'identification de la machine. Les commandes doivent indiquer la position, le code, la description et la quantité des pièces détachées;
- B. Les dessins des pièces détachées sont indicatif, et NE représentent pas le pièces concernée;
- C. Les données de ce catalogue sont citées seulement à titre indicatif et peuvent être l'objet de modifications sans avis préalable.

LETTURA DELLA MATRICOLA MACCHINA

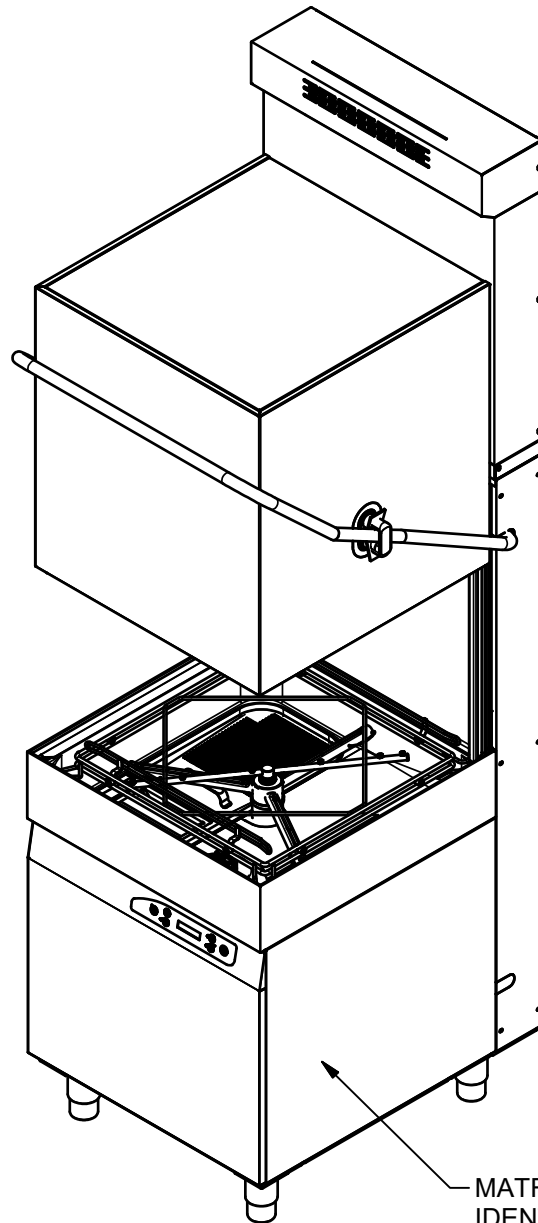
CONSTRUCTION OF MACHINE ID NUMBER

LECTURE DONNÉE DE LA MACHINE

DATI IDENTIFICATIVI
IDENTIFICATION DATA
DONNÉES D'IDENTIFICATION

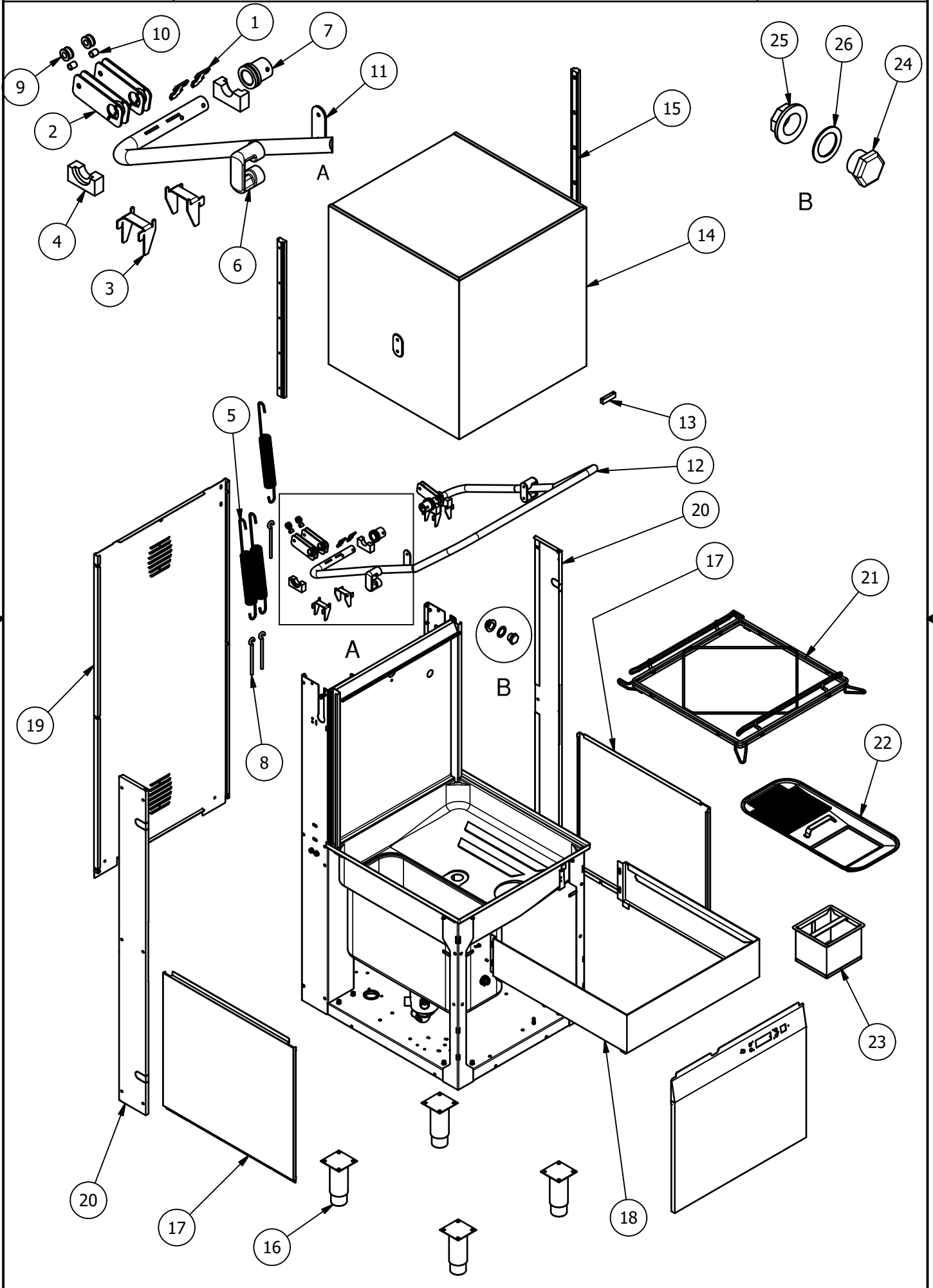
LOGO FABBRICANTE MANUFACTURER LOGO	INDIRIZZO FABBRICANTE MANUFACTURER ADDRESS
MODEL TYPE CODE 1234-123456 SERIAL No. YYYYYYYY ARTICLE	220-240V~50Hz 14A Power 3185 W IP25
WATER SUPPLY 200+500 kPa/MAX 50°C Electronic code: XXXX PW: XXXX	

DATI TECNICI
TECHNICAL SPECIFICATIONS
DONNÉES TECHNIQUES



MTRICOLA
IDENTIFICATION PLATE
PLAQUE D'IDENTIFICATION

TAV 1	CARROZZERIA	BODY	CARROSSERIE
TAV 2	ES SYSTEM	ES SYSTEM	ES SYSTEM
TAV 3	COMPONENTI ELETTRICI	ELECTRICAL COMPONENTS	COMPOSANTS ÉLECTRIQUES
TAV 4	COMPONENTI IDRAULICI	HYDRAULIC COMPONENTS	COMPOSANT HYDRAULIQUES
TAV 5	BRACCI LAVAGGIO / RISCIAQUO	WASH/RINSE ARMS	BRAS DE LAVAGE ET RINÇAGE
TAV 6	POMPA DI SCARICO	DRAIN PUMP	POMPE DE VIDANGE
TAV 7	ADDOLCITORE	WATER SOFTNER	ADOUCESSEUR
TAV 8	PANNELLO DI CONTROLLO	FRONT PANEL	PANNEAU DE CONTROLE
TAV 9	POMPA DI LAVAGGIO	WASHING PUMP	POMPE DE LAVAGE
TAV 10	DOSATORE DETERGIVO E BRILLANTANTE	DETERGENT AND RINSE AID DISPENSER	DOSEURS PRODUIT DE LAVAGE ET RINÇAGE

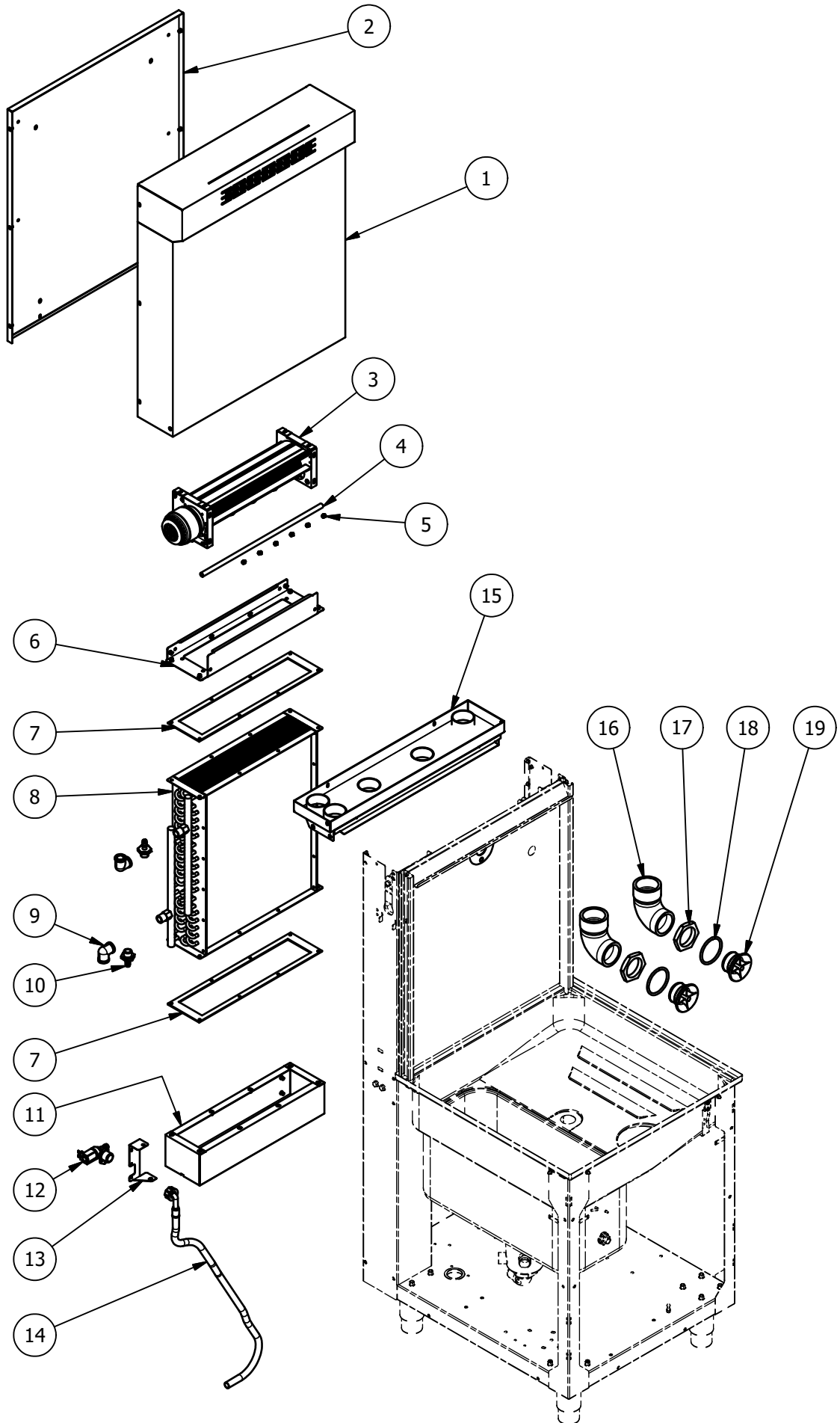


REV.02
(08/2020)AH 1240E ES
CARROZZERIA - BODY - CARROSSERIE

TAV.1_2

ELEM.	CODICE	DA/FROM MATR.	DESCRIZIONE	DESCRIPTION [EN]	DESCRIPTION [FR]	U.M.
1	3056-0038		PROFILO BLOCCA PIASTRA MOLLE	SPRING PLATE LOCK	ARRET DE RESSORT	No.
2	3051-0031		PIASTRA FISSAGGIO MOLLE	SPRING PLATE	ASSIETTE DU RESSORT	No.
3	3002-0054		SUPPORTO FISSAGGIO MANIGLIONE	HANDLE FIXING PLATE	PLAQUE DE FIXATION DE LA POIGNÉE	No.
4	00014390		SUPPORTO MANIGLIONE	HANDLE SUPPORT	SUPPORT DE POIGNÉE	No.
5	00002543		MOLLA A TRAZIONE (*)	TRACTION SPRING (*)	RESSORT DE TRACTION (*)	No.
6	00014789		GUIDA SCORRIMENTO MANIGLIONE	GUIDE FOR HOOD LIFT HANDLE	GUIDE POUR POIGNÉE DE LEVAGE DU CAPOT	No.
7	00014616		BOCCOLA PER TUBO MANIGLIONE	BUSHING FOR HOOD LIFT HANDLE	BAGUE POUR POIGNÉE DE LEVAGE DU CAPOT	No.
8	00006558		GANCIO M8x120	HOOK M8x120	CROCHET M8x120	No.
9	00002576		RULLINO PER MOLLA	SPRING ROLLER	ROULEAU DE RESSORT	No.
10	00002574		BUSSOLA PER RULLINO	SLEEVE BEARING	ROULEMENT À MANCHON	No.
11	3051-0032		PIASTRA INTERNA	INTERNAL PLATE	PLAQUE INTERNE	No.
12	00016878		MANIGLIONE	HOOD LIFT HANDLE	POIGNÉE DE LEVAGE DU CAPOT	No.
13	00016006		UNITA' MAGNETICA (*)	MAGNETIC UNIT (*)	UNITÉ MAGNÉTIQUE (*)	No.
14	8302-0020		CAPPOTTINA SALDATA DOPPIA PARETE	DOUBLE SKINNED HOOD ASSY	CAPOT ASSY DOUBLE PEAU	No.
15	00014398		GUIDA SCORRIMENTO	RAIL GUIDE	GUIDE DE RAIL DE CAPOT	No.
16	00012041		PIEDINO FLANGIATO	ADJUSTABLE FEET	PIEDS RÉGLABLES	No.
17	3011-0005		PANNELLO LATERALE DX-SX	SIDE PANEL RH-LH	PANNEAU LATÉRAL DR-GAU	No.
18	3009-0001		FASCIA COPRI BORDO ALTA	TANK COVER BAND	BANDE DE COUVERCLE DE RÉSERVOIR	No.
19	3012-0007		SCHIENALE INTERO	REAR PANEL	PANNEAU ARRIÈRE	No.
20	3011-0006		PANN. COPRI LONGHERONE DX-SX	ROOF PANEL RH-LH	PANNEAU DE TOIT DR-GAU	No.
21	00015360		ASS. PORTACESTO	BASKET FRAME ASSY	CADRE DE PANIER ASSY	No.
22	00014480		FILTRO VASCA	TANK FILTER	FILTRE DE RÉSERVOIR	No.
23	00014498		FILTRO VASCA	TANK FILTER	FILTRE DE RÉSERVOIR	No.
24	2006-0002		TAPPO 3/4" PP	CAP 3/4" PP	BOUCHON 3/4"PP	No.
25	2019-0002		GHIERA 3/4" PP	RING 3/4" PP	ECROU 3/4" PP	No.
26	00003086		GUARNIZIONE GOMMA	RUBBER GASKET	JOINT	No.

(*) RICAMBI CONSIGLIATI / RECOMMENDED SPARE PARTS / PIÈCES DÉTACHÉES RECOMMANDÉES



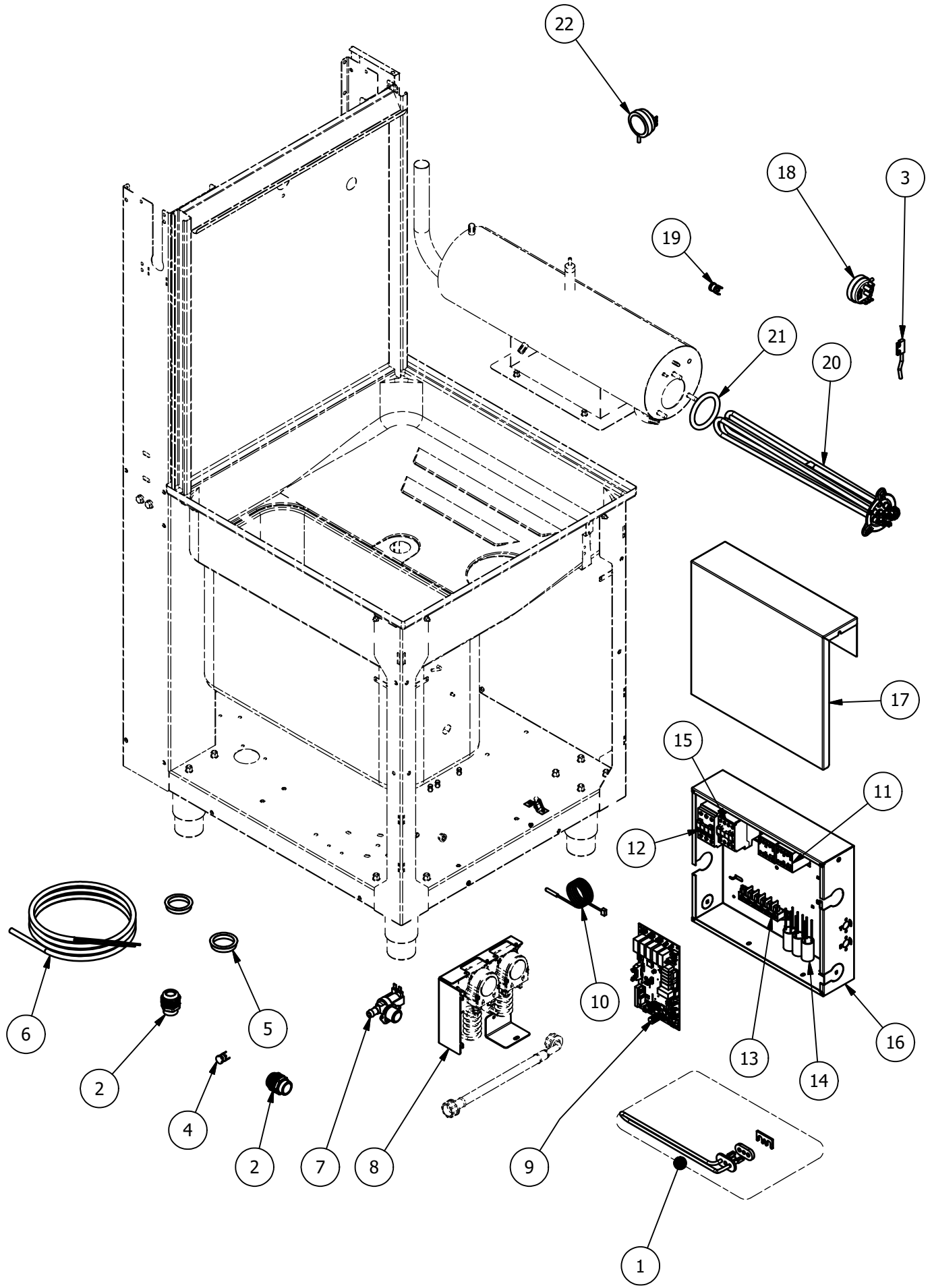
REV.02
(08/2020)

AH 1240E ES
ES SYSTEM

TAV.2_2

ELEM.	CODICE	DA/FROM MATR.	DESCRIZIONE	DESCRIPTION [EN]	DESCRIPTION [FR]	U.M.
1	00017169		ASS. PANNELLO FRONTALE	FRONT PANEL ASSY	ENS. PANNEAU AVANT	No.
2	00015462		PANNELLO POSTERIORE	REAR PANEL	PANNEAU ARRIÈRE	No.
3	00016672		VENTILATORE CONDENSA VAPORE	STEAM CONDENSATOR FAN	VENTILATEUR DE CONDENSATEUR DE VAPEUR	No.
4	00016704		ASS. TUBO DI LAVAGGIO	WASHING PIPE ASSY	ENS. TUYAU DE LAVAGE	No.
5	00017155		UGELLO RISCIAQUO INOX	RINSE NOZZLE	GICLÉUR RINCAGE	No.
6	00016696		CHIUSURA VENTILATORE	FAN CLOSING	FERMETURE DU VENTILATEUR	No.
7	00016394		GUARNIZIONE SCAMBIATORE	HEAT EXCHANGER GASKET	JOINT D'ÉCHANGEUR DE CHALEUR	No.
8	00014442		SCAMBIATORE	EXCHANGER GASKET	ÉCHANGEUR DE CHALEUR	No.
9	00006113		GOMITO 1/2' FF INOX -	1/2' FF INOX FITTING	RACCORDO 1/2' FF INOX	No.
10	00016591		PORTAGOMMA 1/2" INOX	1/2" INOX HOSE HOLDER	1/2" INOX SUPPORT DE TUYAU	No.
11	00017170		CONVOGLIATORE VAPORE	STEAM CONVEYOR	CONVOYEUR DE VAPEUR	No.
12	00017406		ELETTROVALVOLA 90° (*)	90° SOLENOID VALVE (*)	ÉLECTROVANNE 90 ° (*)	No.
13	00017435		STAFFA DI FISSAGGIO	MOUNTING BRACKET	SUPPORT DE MONTAGE	No.
14	00000139		TUBO CARICO L=2000mm	WATER INLET HOSE L=2000mm	TUYAU D'ENTRÉE L=2000mm	No.
15	00016846		ASS. FISSAGGIO CONVOGLIATORI	CONVEYOR ASSY FIXING	FIXATION DE L'ENSEMBLE DE CONVOYEUR	No.
16	3080-0003		MANICOTTO	HOSE	MANCHON	No.
17	00002362		GHIERA RACC. ASPIRAZIONE	INTAKE FITTING RING NUT	ECROU ANNEAU DE RACCORD D'ADMISSION	No.
18	00002374		OR 6275	OR 6275	OR 6275	No.
19	00002373		RACC. ASPIRAZIONE	INTAKE FITTING	RACCORD D'ADMISSION	No.

(*) RICAMBI CONSIGLIATI / RECOMMENDED SPARE PARTS / PIÈCES DÉTACHÉES RECOMMANDÉES

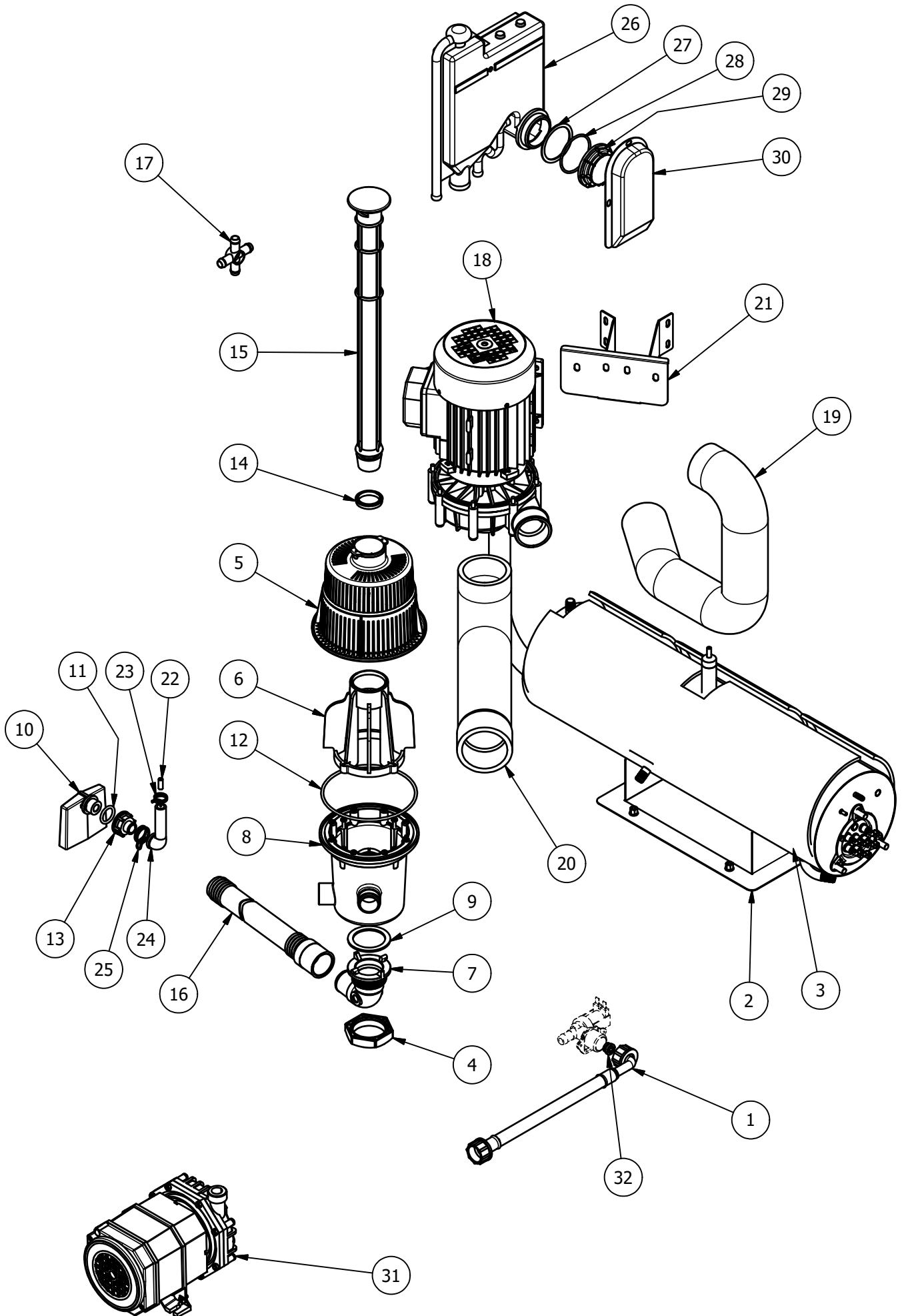


REV.02
(08/2020)AH 1240E ES
COMPONENTI ELETTRICI - ELECTRICAL COMPONENTS - COMPOSANT ELECTRIQUES

TAV.3_2

ELEM.	CODICE	DA/FROM MATR.	DESCRIZIONE	DESCRIPTION [EN]	DESCRIPTION [FR]	U.M.
1	00015608		RESISTENZA 230V 1.5kW (*)	RESISTANCE 230V 1.5kW (*)	RÉSISTANCE 230V 1.5kW (*)	No.
2	00000462		FISSACAVO PG 21	PG 21 CABLE CLAMP	GUIDE DU CABLE PG 21	No.
3	00012685		MICROINTERRUTTORE MAGNETICO (*)	MICRO SWITCH (*)	CAPTEUR MAGNETIQUE OUV. DE PORTE (*)	No.
4	00004066		TERMOSTATO BIMETALL. A R.M. (*)	MANUAL RESET SAFETY THERMOSTAT (*)	THERMOSTAT DE SECURITÉ À RÉARM. MANUEL (*)	No.
5	00014489		PASSACAVO	CABLE GUIDE	GUIDE DU CABLE	No.
6	00002776		CAVO ALIMENTAZIONE 5G 3.5	POWER CABLE 5G 3.5	CABLE D'ALIMENTATION 5G 3.5	No.
7	00000394		ELETTOVALV. SING. 90° 230V (*)	SINGLE SOLEN. VALVE 90° 230V (*)	ELECTROV. UNIQUE 90° 230V (*)	No.
8	00014349		SUPPORTO DOSATORI	DETERGENT DISPENSER SUPPORT	DOSEUR SOUTIEN	No.
9	4030-0002		SCHEDE ELETTRONICA 12 RELE' (*)	12 RELAYS ELECTRONIC CARDBOARD (*)	CARTE ÉLECTRONIQUE 12 RELAIS (*)	No.
10	4011-0002		SONDA NTC AMP MODU II PER BOILER/VASCA (*)	NTC PROBE AMP MODU II FOR BOILER/TANK (*)	SONDE NTC AMP MODU II POUR CHAUDIÈRE/RÉSERVOIR (*)	No.
11	00005140		TELERUTTORE 230V 50/60Hz (*)	CONTACTOR 230V 50/60Hz (*)	TELERUPETUR 230V 50/60Hz (*)	No.
12	4016-0001		TELERUTTORE BF26 230 45	CONTACTOR BF26 230 45	TELERUPETUR BF26 230 45	No.
13	4055-0001		MORSETTIERA FV122 40A 450V	TERMINAL BOARD FV122 40A 450V	BLOC TERMINAL FV122 40A 450V	No.
14	00002779		FILTRO ANTIDISTURBO 0,47 uF	FILTER 0,47 uF	FILTRE ANTIPARASITE 0.47 uF	No.
15	00004375		TELERUTTORE 230V 50Hz BF09 4.2kW	CONTACTOR 230V 50Hz BF09 4.2kW	TELERUPETUR 230V 50Hz BF09 4.2kW	No.
16	3024-0001		SCATOLA QUADRO ELETTRICO	WIRING METAL BOX	BOÎTE ÉLECTRIQUE	No.
17	3022-0004		PANNELLO CHIUSURA SCATOLA ELETTRICA	WIRING METAL BOX COVER	COUVERTURE BOÎTE ÉLECTRIQUE	No.
18	00015317		PRESSOSTATO LIVELLO 70/180 (*)	PRESSURE SWITCH 70/180 (*)	PRESSOSTAT DE NIVEAU D'EAU 70/180 (*)	No.
19	00004913		TERMOSTATO BIMETALL. A R.M. (*)	MANUAL RESET SAFETY THERMOSTAT (*)	THERMOSTAT DE SECURITÉ À RÉARM. MANUEL (*)	No.
20	00014802		RESISTENZA 230V 9kW	RESISTANCE 230V 9kW	RÉSISTANCE 230V 9kW	No.
21	00000057		OR PER FLANGIA BOILER (*)	OR FOR BOILER FLANGE (*)	OR POUR BRIDE DU CHAUD. (*)	No.
22	00016403		PRESSOSTATO LIVELLO 28/12	PRESSURE SWITCH 28/12 (*)	PRESSOSTAT DE NIVEAU D'EAU 28/12 (*)	No.

(*) RICAMBI CONSIGLIATI / RECOMMENDED SPARE PARTS / PIECES DETACHEES RECOMMANDEES

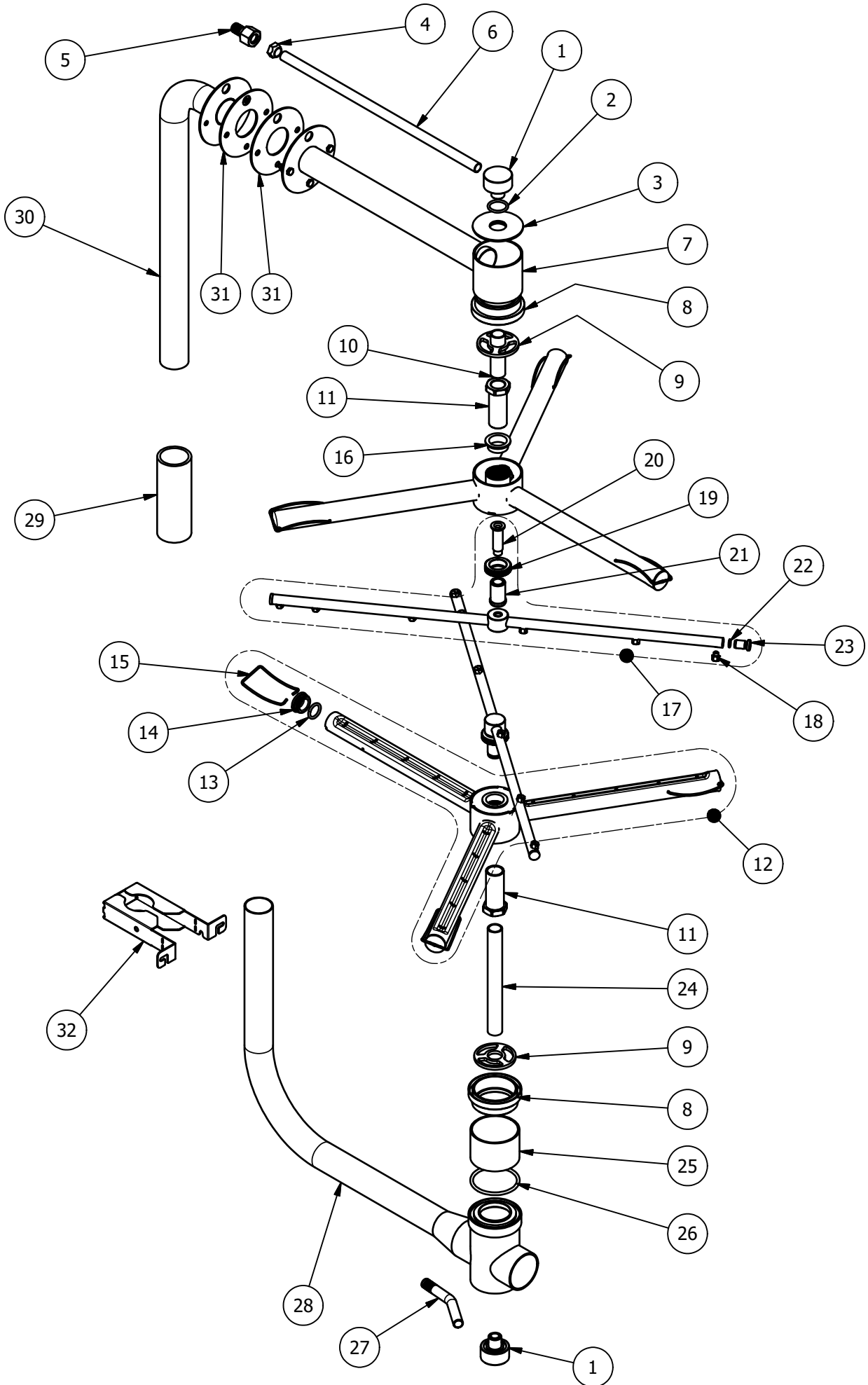


REV.02
(08/2020)AH 1240E ES
COMPONENTI IDRAULICI - HYDRAULIC COMPONENTS - COMPOSANT HYDRAULIQUES

TAV.4_2

ELEM.	CODICE	DA/FROM MATR.	DESCRIZIONE	DESCRIPTION [EN]	DESCRIPTION [FR]	U.M.
1	00000139		TUBO CARICO L=2000mm	WATER INLET HOSE L=2000mm	WATER INLET HOSE L=2000mm	No.
2	00015620		ASS. BOILER 11L	11L BOILER ASSY	11L BOILER ASSY	No.
3	00015910		COIBENTAZIONE BOILER	BOILER INSULATION BAND	ISOLATION DE LA CHAUDIÈRE	No.
4	00000203		DADO PILETTA	DRAIN SCREW	ÉCROU TASSE D'ÉCHAPP.	No.
5	00017156		FILTRO GRUPPO FILTR.	FILTER OF FILT. GROUP	FILTRE CUVE	No.
6	00017157		GHIERA GRUPPO FILTR.	THREADED RING	BAGUE POUR FILTRE	No.
7	00017159		PILETTA DI SCARICO	DRAIN	TASSE D'ÉCHAPPEMENT	No.
8	00017158		POZZETTO SCARICO	EXHAUST COCKPIT	PUITS DU FILTRE	No.
9	00000204		GUARNIZIONE POZZETTO	EXHAUST COCKPIT GASKET	JOINT DU Puits DU FILTRE	No.
10	00003535		GABBIA D'ARIA VASCA (*)	AIR TRAP (*)	TRAPPE D'AIR (*)	No.
11	00002934		OR 4081	OR 4081	OR 4081	No.
12	00015315		OR 4500	OR 4500	OR 4500	No.
13	00003536		DADO GABBIA D'ARIA	NUT FOR AIR TRAP	ÉCROU POUR TR. DE L'AIR	No.
14	000017178		GUARNIZIONE TROPPOPIENO	OVERFLOW GASKET	JOINT DU TROP PLEIN	No.
15	00017161		TROPPOPIENO VASCA	OVERFLOW	TROP PLEIN EN PLASTIQUE	No.
16	0002188		TUBO SCARICO L=2000mm	WATER OUTLET HOSE L=2000mm	TUYAU D'ENTRÉE L=2000mm	No.
17	00004121		DISTRIBUTORE 4 VIE - PLASTICA			
18	00015514		POMPA LAV. 230V 50Hz 1.3kW	W. PUMP 230V 50Hz 1.3kW	POMPE DE LAV. 230V 50Hz 1.3kW	No.
18A	00016657		POMPA LAV. 230V 60Hz 1.3kW	W. PUMP 230V 60Hz 1.3kW	POMPE DE LAV. 230V 60Hz 1.3kW	No.
19	00015204		MANICOTTO MANDATA POMPA	INLET PUMP HOSE	TUYAU D'ENTRÉE A LA POMPE	No.
20	00015201		MANICOTTO ASPIRAZIONE POMPA	OUTLET PUMP HOSE	TUYAU DU SORTIE DA LA POMPE	No.
21	00015199		SUPP. POMPA LAVAGGIO	WASHING PUMP SUPP.	SUPP. DU LA POMPE	No.
22	00002933		TUBO TENUTA GABBIA D'ARIA	AIR TRAP JUNCTION	JONC. POUR TRAPPE D'AIR	No.
23	00000388		FASCETTA BIFIL. Ø14.4X15.1	CLAMP Ø14.4X15.1	COLLIER Ø14.4X15.1	No.
24	00002927		RACCORDO ANTICONDENSA	FITTING	RACCORD ANTI-COND.	No.
25	00000391		FASCETTA BIFIL. Ø19.6x20.6	CLAMP Ø19.6x20.6	COLLIER Ø19.6x20.6	No.
26	00015941		AIR BREAK	AIR BREAK	AIR BREAK	No.
27	00015778		GUARNIZIONE PIANA AIR BREAK	PLANAR GASKET AIR BREAK	JOINT PLANAIRE AIR BREAK	No.
28	00015777		ORING AIR BREAK	ORING AIR BREAK	ORING AIR BREAK	No.
29	00015779		GHIERA AIR BREAK	THREADED RING FOR AIR BREAK	BAGUE POUR AIR BREAK	No.
30	00016028		PROTEZIONE	PROTECTION	PROTECTION	No.
31	00015422		POMPA RISC. 230V 50Hz	RINSE PUMP 230V 50Hz	POMPE DE RINC. 230V 50Hz	No.
31A	00016697		POMPA RISC. 230V 60Hz	RINSE PUMP 230V 60Hz	POMPE DE RINC. 230V 60Hz	No.
32	00016405		RIDUTTORE DI PORTATA ENTRATA 8 L/MIN	INLET REG. 8 L/min	RÉG. DE DÉBIT 8 L/min	No.

(*) RICAMBI CONSIGLIATI / RECOMMENDED SPARE PARTS / PIECES DETACHEES RECOMMANDEES

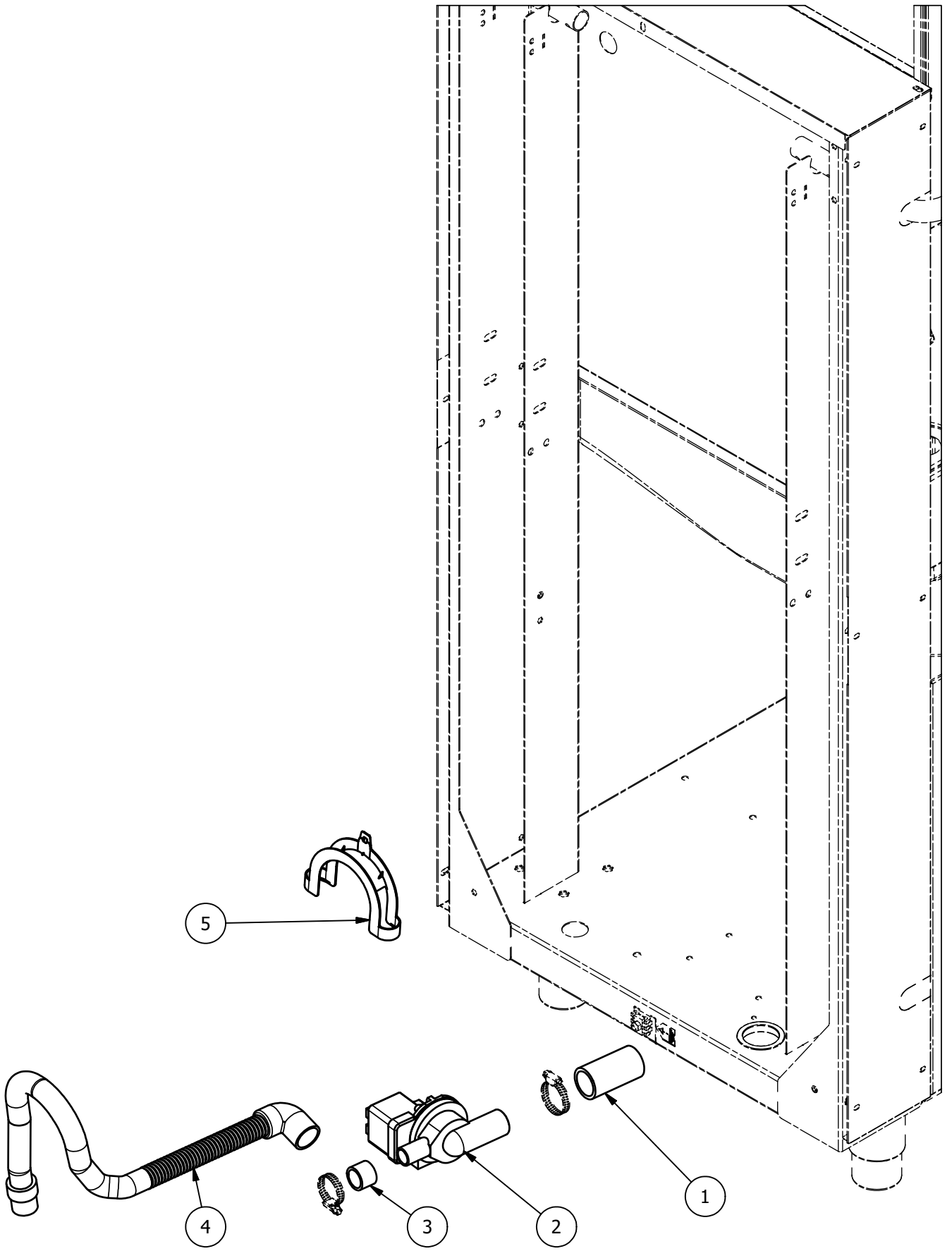


REV.02
(08/2020)AH 1240E ES
BRACCI DI LAVAGGIO/RISCIACQUO - WAS/RINSE ARMS - BRAS DE LAVAGE/RINCAGE

TAV.5_2

ELEM.	CODICE	DA/FROM MATR.	DESCRIZIONE	DESCRIPTION [EN]	DESCRIPTION [FR]	U.M.
1	00006590		RACCORDO A 90°	90° ELBOW	RACCORD 90°	No.
2	00000025		OR128	OR128	OR128	No.
3	8380-0010		ASS. DISCO RAMPA SUPERIORE	DISC ASSY OF SUP. WASHING PIPE	ENS. DISC DU TUYAU DE LAVAGE SUP.	No.
4	00003265		DADO M12X1	NUT M12x1	ÉCROU M12x1	No.
5	00011992		RACCORDO PER TIRANTE INOX	SS TENSIONER CONNECTION	RACCORD EN INOX POUR TIRANT	No.
6	00010952		TUBO RISCIACQUO SUP.	UPPER RINSE PIPE	TUYAU SUP. DU RINCAGE	No.
7	8305-0001		ASSIEME RAMPA LAVAGGIO	WASHING PIPE ASSY	ENS. DE TUBES DE LAVAGE	No.
8	00017510		FLANGIA INT. COPRITIRANTE	INTERNAL FLANGE	BRIDE INTERNE	No.
9	00017541		FLANGIA INT. COPRITIRANTE	INTERNAL FLANGE	BRIDE INTERNE	No.
10	00011088		TIRANTE SUPERIORE	UPPER TENSIONER	TENDEUR SUPÉRIEUR	No.
11	00002587		PERNO DI LAVAGGIO	WASH PIN	PIN DE LAVAGE	No.
12	00015521		ASS. GIRANTE LAVAGGIO	WASHING ARM	BRAS DE LAVAGE	No.
13	00000093		OR121	OR121	OR121	No.
14	00002650		TAPPO TUBI LAVAGGIO (*)	WASHING ARM CAP (*)	BOUCH. BRAS DE LAVAGE (*)	No.
15	00002654		MOLLA AD ARCHETTO	SPRING	RESSORT	No.
16	00002445		BUSSOLA IN TEFLON (*)	TEFLON PLAN BEARINGS (*)	ROULEMENTS PLAN TEFLON (*)	No.
17	0002761C		ASS. GIRANTE RISCIACQUO	RINSE ARM	BRAS DE RINCAGE	No.
18	00017155		UGELLO RISCIACQUO INOX	RINSE NOZZLE	GICLEUR RINCAGE	No.
19	00002416		GHIERA INOX	SS RING NUT	ECROU EN INOX	No.
20	00002417		PERNO INOX	SS PIN	PIN EN INOX	No.
21	00002419		BUSSOLA IN TEFLON	TEFLON PLAN BEARINGS	ROULEMENTS PLAN TEFLON	No.
22	00002531		OR 106	OR 106	OR 106	No.
23	00002502		TAPPO RISCIACQUO (*)	RINSE ARM PLUG (*)	BOUCHON BRAS DE RINCAGE (*)	No.
24	00014578		TIRANTE INFERIORE	LOWER TENSIONER	TENDEUR INFÉRIEUR	No.
25	00017509		FODERO COPRITIR. INFERIORE	LOWER TENSIONER COVER	COUVERTURE DU TENDEUR INFÉRIEUR	No.
26	00006546		OR158	OR158	OR158	No.
27	00008648		RACCORDO INOX M12x1	M12x1 SS FITTING	RACCORD M12x1 INOX	No.
28	00014357		ASS. RAMPA INFERIORE LAVAGGIO	LOWER WASHING PIPE ASSY	TUYAU DE LAVAGE INFÉRIEUR	No.
29	00002731		TUBO RADIOR d42x115	d42x115 RADIOR PIPE	TUYAU RADIOR d42x115	No.
30	00010953		ASS. RAMPA SUPERIORE LAVAGGIO	UPPER WASHING PIPE ASSY	TUYAU DE LAVAGE SUPÉRIEUR	No.
31	00010955		GUARNIZIONE GOMMA FLANGIA	GASKET FOR WASHING FLANGE	JOINT POUR BRIDE DE LAVAGE	No.
32	00015381		SUPP. RAMPA LAVAGGIO	WASHING PIPE SUPPORT	SUPP. TUBES DE LAVAGE	No.

(*) RICAMBI CONSIGLIATI / RECOMMENDED SPARE PARTS / PIECES DETACHEES RECOMMANDEES



KIT POMPA DI SCARICO COMPLETO - COMPLETE DRAIN PUMP KIT - KIT POMPE DE VIDANGE COMPLET: 16719

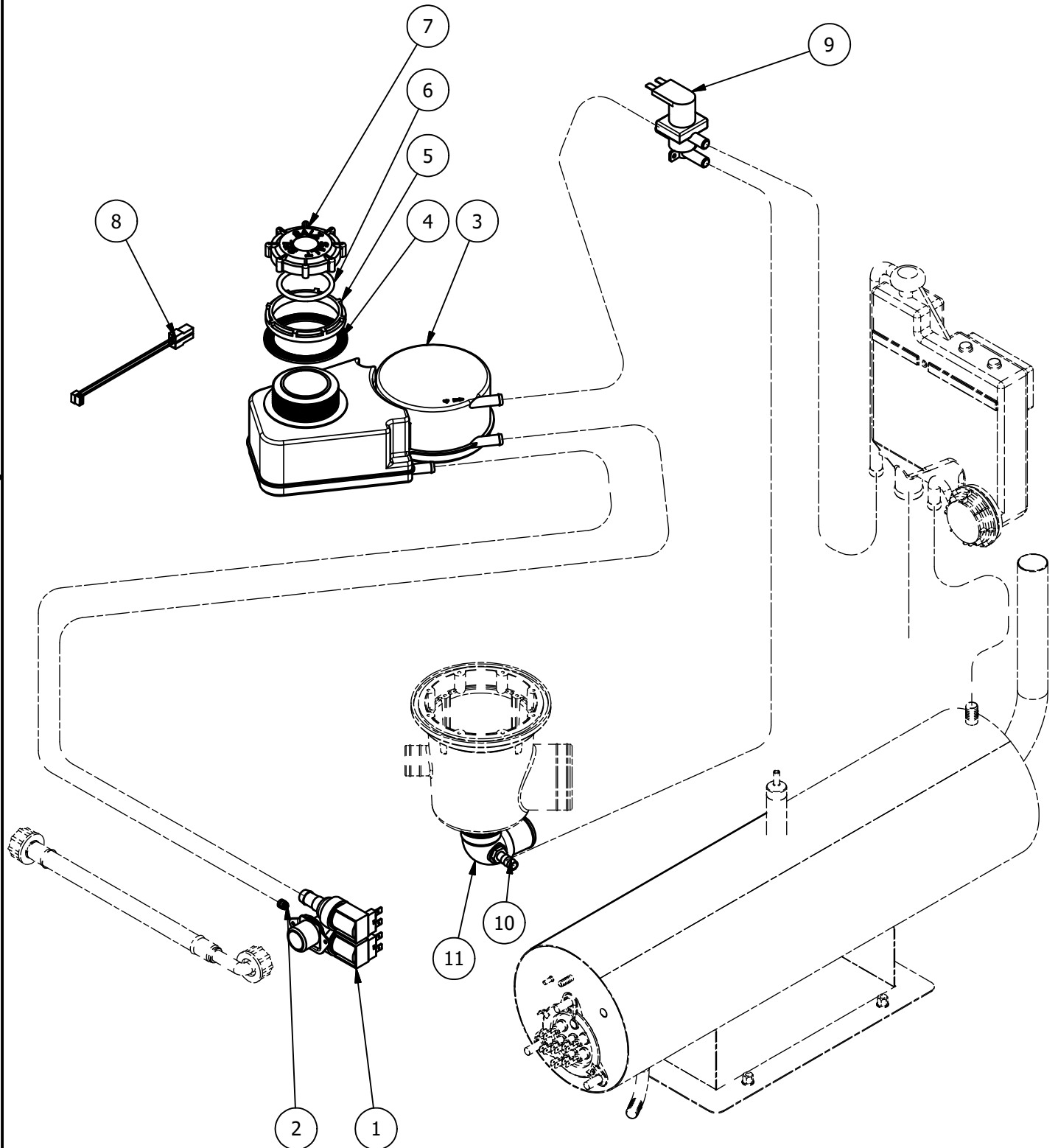
REV.02
(08/2020)

AH 1240E ES
KIT POMPA DI SCARICO - KIT DRAIN PUMP - KIT POMPE DE VINDAGE

TAV.6_2

ELEM.	CODICE	DA/FROM MATR.	DESCRIZIONE	DESCRIPTION [EN]	DESCRIPTION [FR]	U.M.
1	00001221		MANICOTTO	HOSE	TUYAU	No.
2	00000379		POMPA DI SVUOTAMENTO 230V 50Hz (*)	DRAIN PUMP 230V 50Hz (*)	POMPE DE VIDANGE 230V 50Hz (*)	No.
2A	6006-0002		POMPA DI SVUOTAMENTO 230V 60Hz (*)	DRAIN PUMP 230V 60Hz (*)	POMPE DE VIDANGE 230V 60Hz (*)	No.
3	3040-0002		TUBO EPDM	EPDM HOSE	TUYAU EN EPDM	No.
4	0271500002		TUBO SCARICO L= 2500 mm	DRAIN HOSE L= 2500 mm	TUYAU D'ÉCHAPPEMENT L= 2500 mm	No.
5	00016395		CURVA SUPPORTO TUBO SCARICO	DRAIN HOSE SUPPORT	SUPPORT DU TUYAU D'ÉCHAPPEMENT	No.

(*) RICAMBI CONSIGLIATI / RECOMMENDED SPARE PARTS / PIECES DETACHEES RECOMMANDEES



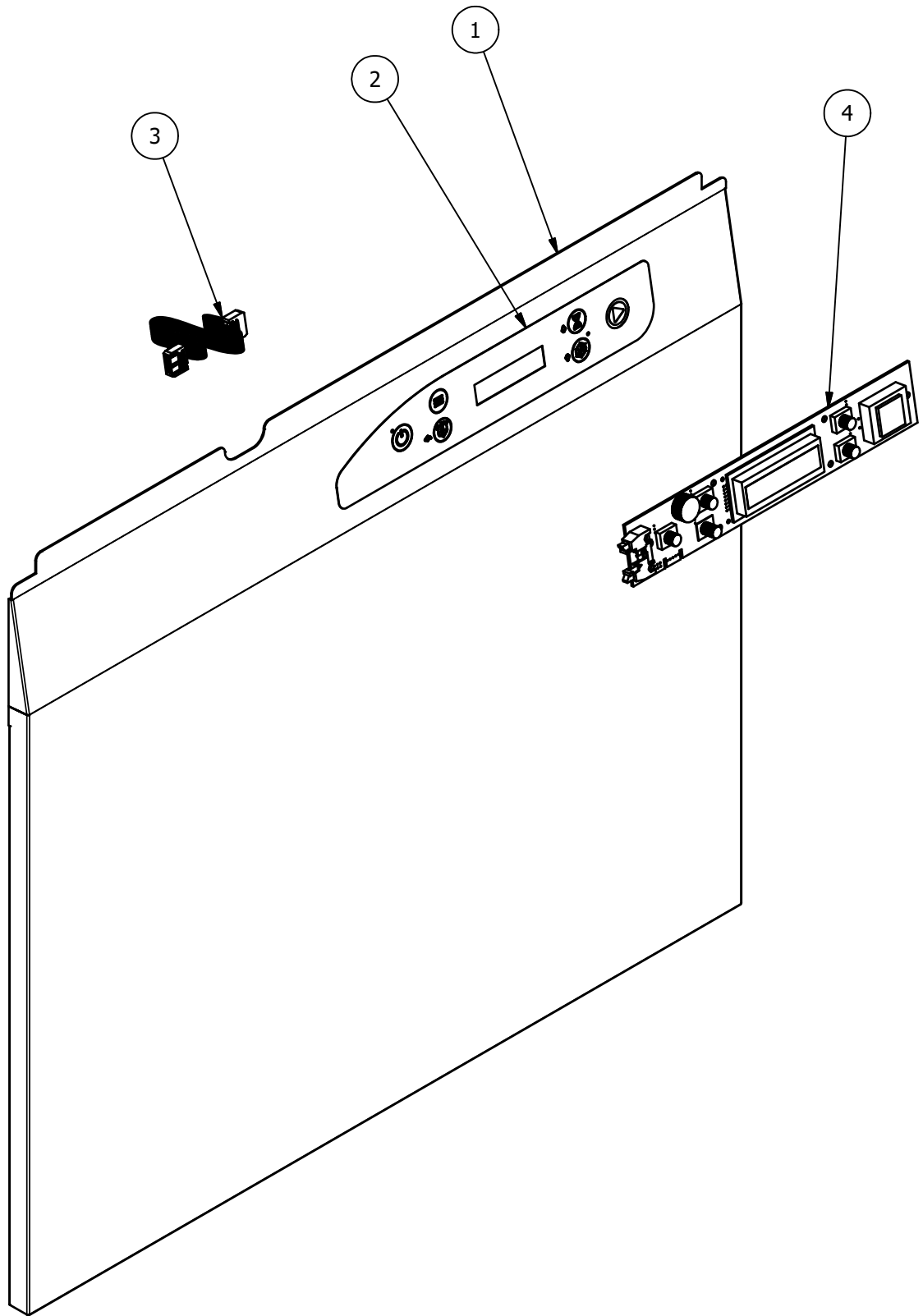
REV.02
(08/2020)

AH 1240E ES
ADDOLCITORE - WATER SOFTNER - ADOUCISSEUR

TAV.7_2

ELEM.	CODICE	DA/FROM MATR.	DESCRIZIONE	DESCRIPTION [EN]	DESCRIPTION [FR]	U.M.
1	2017-0001		ELETTRIVALVOLA DOPPIA 90° 230V 50/60 Hz (*)	SOLENOID VALVE 90° 230V 50/60 Hz (*)	ELECTROVANNE 90° 230V 50/60 Hz (*)	No.
2	00006524		RIDUTTORE DI PORTATA USCITA 0.5 L/MIN	FLOW REDUCER 0.5 L/MIN	RÉDUCTEUR DE DÉBIT 0.5 L/MIN	No.
3	00017209		ASS. ADDOLCITORE AUTOMATICO	AUTOM. WATER SOFTNER ASSY	ENS. DU L'ADOU CISSEUR	No.
4	00006152		GUARNIZIONE	GASKET	JOINT	No.
5	2019-0001		GHIERA ADDOLCITORE	THREADED RING OF WATER SOFTNER	BAGUE POUR L'ADOU CISSEUR	No.
6	2060-0004		OR TAPPO ADDOLCITORE	CAP OR	OR DU CAP	No.
7	2006-0001		TAPPO ADDOLCITORE	WATER SOFTNER CAP	CAP DU L'ADOU CISSEUR	No.
8	4040-0003		CAVO COLLEGAMENTO ADDOLCITORE AUTOMATICO	WATER SOFTNER CONNECTION CABLE	CÂBLAGE DU L'ADOU CISSEUR	No.
9	00015785		ELETTROV. DOPPIA USCITA (*)	SOLENOID VALVE DOBLE EXIT (*)	ÉLECTROVANNE À DOUBLE SORTIE (*)	No.
10	00017298		PORTAGOMMA INOX 1/4"	SS FITTING 1/4"	RACCORD INOX 1/4"	No.
11	00017299		PILETTA DI SCARICO	DRAIN CUP	TASSE D'ÉCHAPPEMENT	No.

(*) RICAMBI CONSIGLIATI / RECOMMENDED SPARE PARTS / PIECES DETACHEES RECOMMANDEES



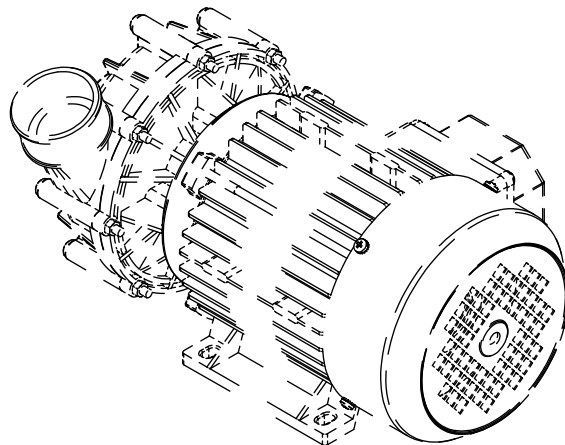
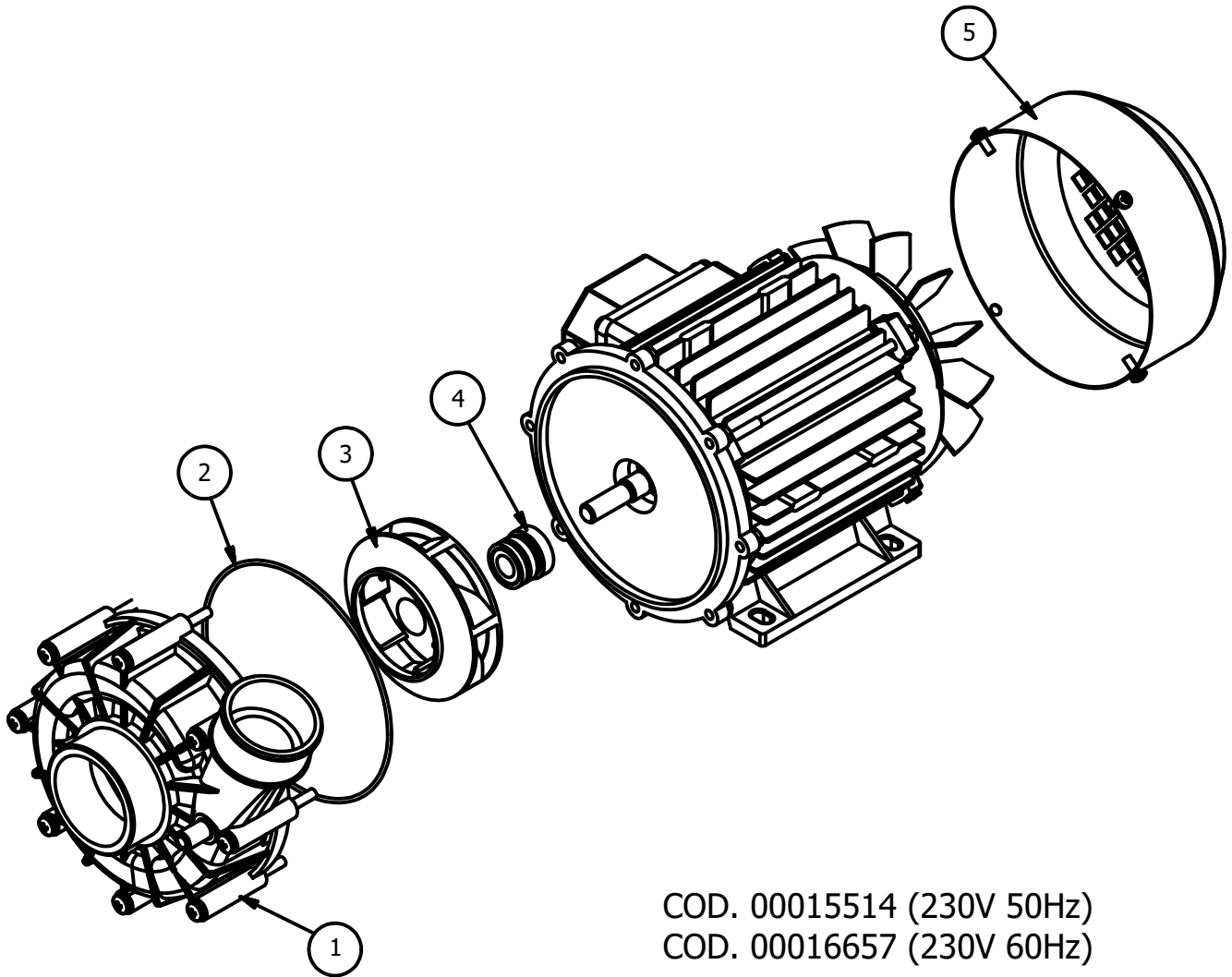
REV.02
(08/2020)

AH 1240E ES
PANNELLO COMANDI - FRONT PANEL - PANNEAU DE CONTROLE

TAV.8_2

ELEM.	CODICE	DA/FROM MATR.	DESCRIZIONE	DESCRIPTION [EN]	DESCRIPTION [FR]	U.M.
1	3013-0014		PANNELLO FRONTALE	FRONT PANEL	PANNEAU AVANT	No.
2	3501-0064		MEMBRANA ADESIVA	ADHESIVE LABEL	MEMBRANE ADHÉSIVE	No.
3	4040-0001		CAVO FLAT 10 FILI (*)	10-WIRES FLAT CABLE (*)	CÂBLE PLAT À 10 FILS (*)	No.
4	4035-0001		DISPLAY 6 TASTI (*)	6 KEYS DISPLAY (*)	AFFICHAGE À 6 BOUTONS (*)	No.

(*) RICAMBI CONSIGLIATI / RECOMMENDED SPARE PARTS / PIECES DETACHEES RECOMMANDEES



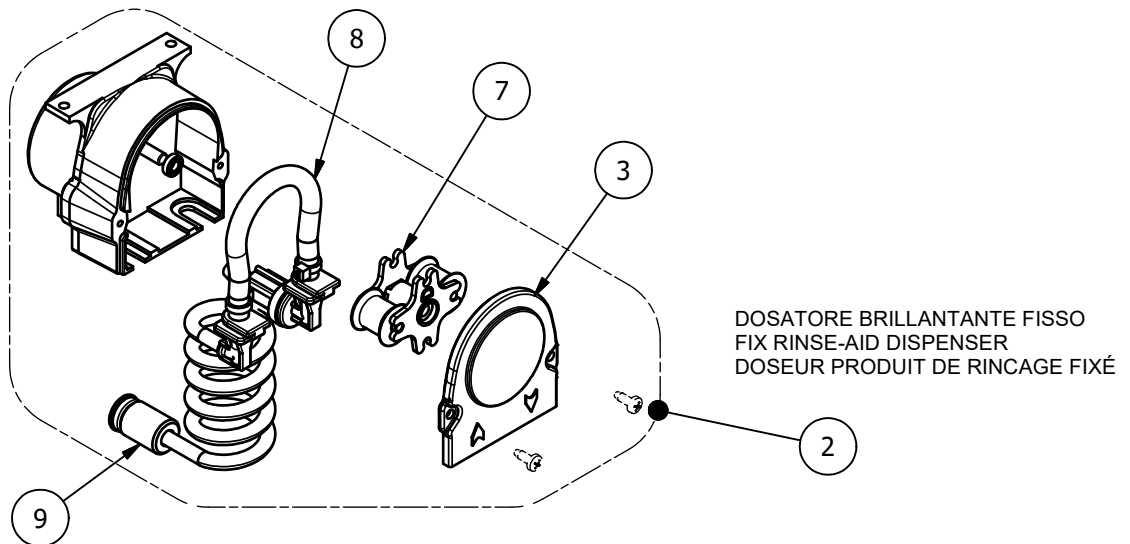
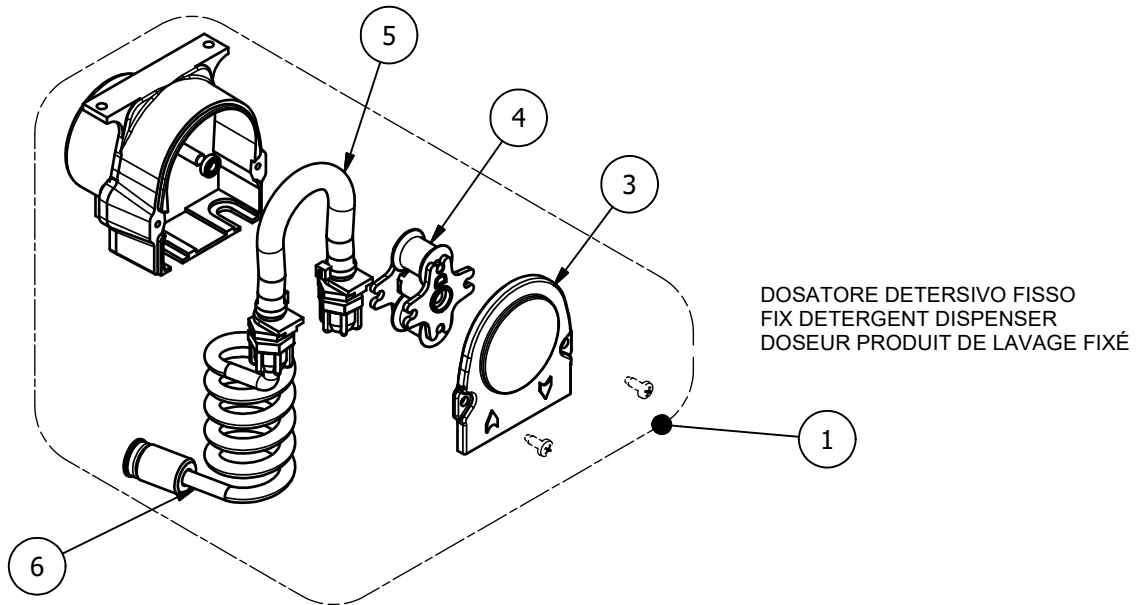
REV.02
(08/2020)

AH 1240E ES
POMPA DI LAVAGGIO - WASHING PUMP - POMPE DE LAVAGE

TAV.9_2

ELEM.	CODICE	DA/FROM MATR.	DESCRIZIONE	DESCRIPTION [EN]	DESCRIPTION [FR]	U.M.
1	00016750		CHIOCCIOLA	PUMP CASE	CARTER POUR POMPE	No.
2	00016747		GUARNIZIONE	GASKET	JOINT	No.
3	00016751		GIRANTE	IMPELLER	ROUE	No.
4	00014564		KIT TENUTA ROTANTE	SEAL KIT	KIT D'ÉTANCHÉITÉ	No.
5	00016757		COPRIVENTOLA	FAN COVER	COUVERCLE DE VENTILATEUR	No.

(*) RICAMBI CONSIGLIATI / RECOMMENDED SPARE PARTS / PIECES DETACHEES RECOMMANDEES



REV.02
(08/2020)

AH 1240E ES

DOS. DET. E BRILL. - DETERG. AND RINSE-AID DISPENSER - DOS. PRODUIT DE LAV. ET RINC.

TAV.10_2

ELEM.	CODICE	DA/FROM MATR.	DESCRIZIONE	DESCRIPTION [EN]	DESCRIPTION [FR]	U.M.
1	00016182		ASS. DOS.DETER. ELETTR. FISSO 3Lt/h	FIX DETER. DISPENSER 3Lt/h	DOSEUR PRODUIT DE LAV. FIXE 3Lt/h	No.
2	8395-0011		ASS. DOS. BRILL. ELETTR. FISSO 0.5Lt/h	FIX RINSE AID DISPENSER 0.5Lt/h	DOSEUR RINCAGE FIXE 0.5Lt/h	No.
3	8395-0013		COPERCHIO DI CHIUSURA	COVER ASSY	COUVERTURE DE FERMETURE	No.
4	00006632		ASS. PORTARULLI DOS. DETERSIVO (*)	DETERGENT DISPENSER ROLL HOLDER ASSY (*)	ENSEMBLE SUPPORT DE ROULEAU DOSEUR PRODUIT DE LAV. (*)	No.
5	00017128		TUBO INTERNO DOSAT. DETERSIVO (*)	INTERNAL DETERG. DISPENSER HOSE (*)	TUBE INTERNE POUR DOSEUR PRODUIT DE LAV. (*)	No.
6	00005069		ASS. FILTRO DOSAT. DETERS. CON TUBO	DETERG. DISPENS. FILTER ASSY	ENS. DU FILTRE DU DOSEUR PRODUIT DE LAV. AVEC TUBE	No.
7	8395-0014		ASS. PORTARULLI DOS. BRILL. (*)	RINSE AID DISPENSER ROLL HOLDER ASSY (*)	ENSEMBLE SUPPORT DE ROULEAU DOSEUR RINC. (*)	No.
8	8395-0012		TUBO INTERNO DOSAT. BRILLANTE CON VALV. (*)	INTERNAL RINSE AID DISP. HOSE WITH VALVE (*)	TUBE INTERNE POUR DOSEUR RINC. AVEC VANNE(*)	No.
9	00005070		ASS. FILTRO DOSAT. BRILL. CON TUBO	RINSE AID DISPENS. FILTER ASSY	ENS. DU FILTRE DU DOSEUR RINCAGE AVEC TUBE	No.

(*) RICAMBI CONSIGLIATI / RECOMMENDED SPARE PARTS / PIECES DETACHEES RECOMMANDEES