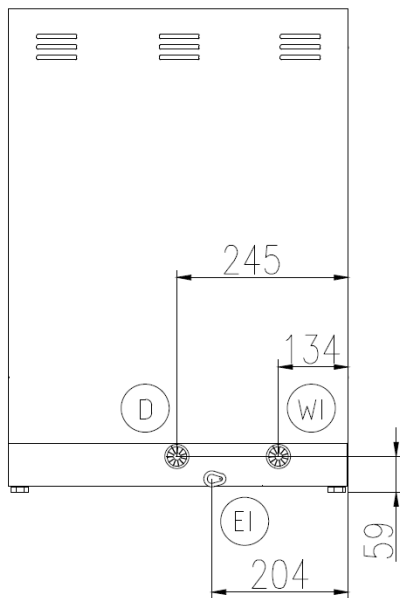
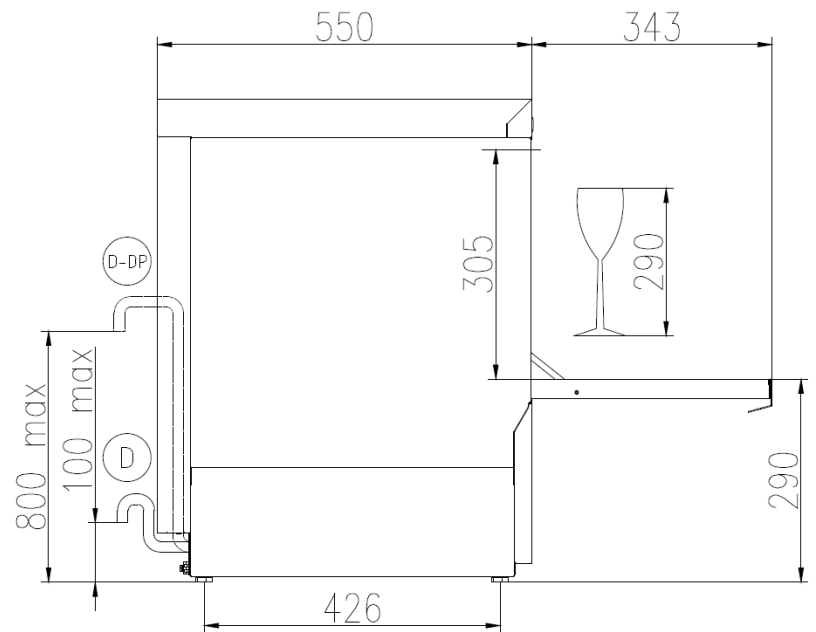
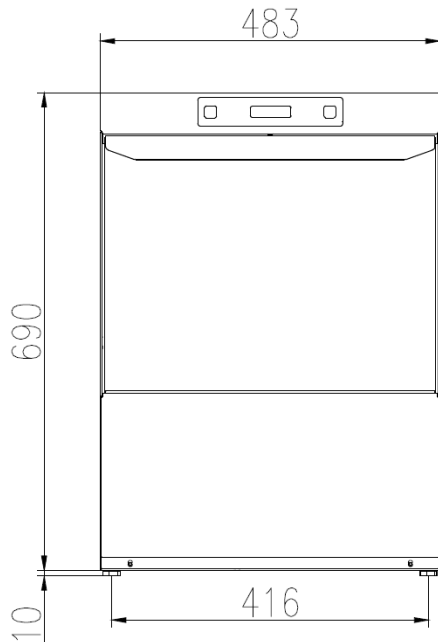


# KASTEL wash

SK 40 E PRS



(EI)

CAVO DI ALIMENTAZIONE  
POWER CORD SUPPLY  
CABLE D'ALIMENTATION  
CABLE DE ALIMENTACION

(WI)

CANNA DI CARICO G 3/4 L=2000 mm  
G 3/4 INLET HOSE L=2000 mm  
TUYAU D'ALIMENTATION G 3/4" L=2000 mm  
TUBO DE ALIMENTACION G 3/4" L=2000 mm

(D)

TUBO DI SCARICO  $\phi$  29 mm L=2500 mm  
DRAIN HOSE  $\phi$  29 mm L=2500 mm  
TUYAU DE VIDANGE  $\phi$  29 mm L=2500 mm  
TUBO DE DESAGUE  $\phi$  29 mm L=2500 mm

(D-DP)

TUBO DI SCARICO  $\phi$  29 mm L=2500 mm (CON POMPA SCARICO)  
DRAIN HOSE  $\phi$  29 mm L=2500 mm (WITH DRAIN PUMP)  
TUYAU DE VIDANGE  $\phi$  29 mm L=2500 mm (AVEC POMPE DE VIDANGE)  
TUBO DE DESAGUE  $\phi$  29 mm L=2500 mm (CON POMPA DE DESAGUE)

	Min 10°C-MAX 50°C Min 10°C-MAX 25°C with ENERGY RECOVERY
	200÷500kPa(2÷5 Bar) 100÷500kPa(1÷5 Bar) with ATMOSPHERIC BOILER
	HARDNESS 5÷20'f-2.8÷11'd